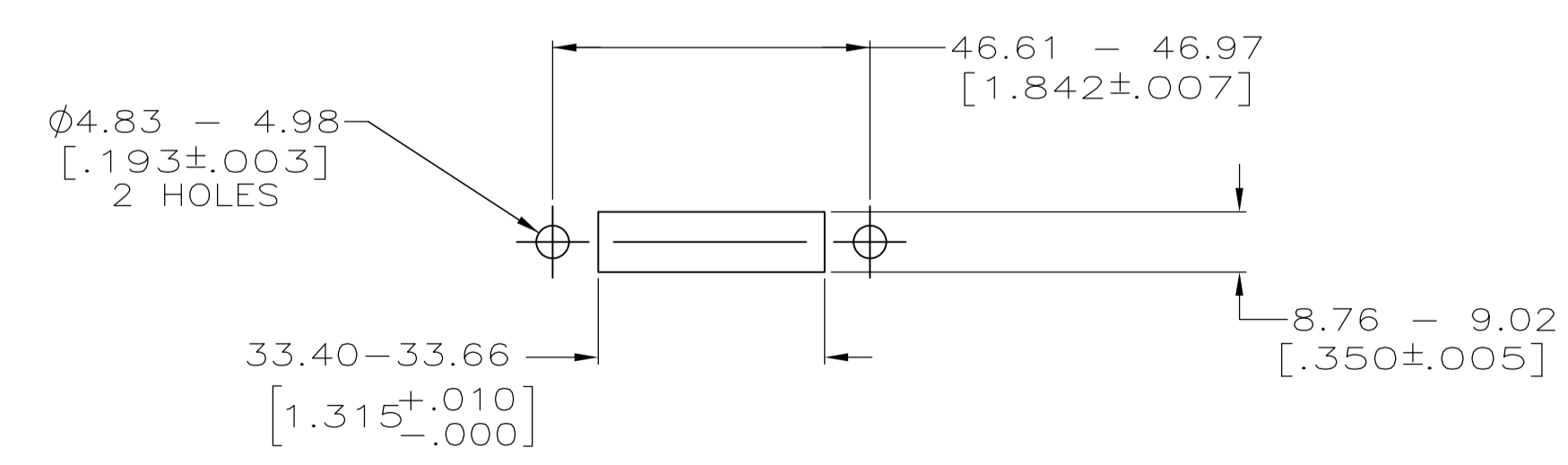
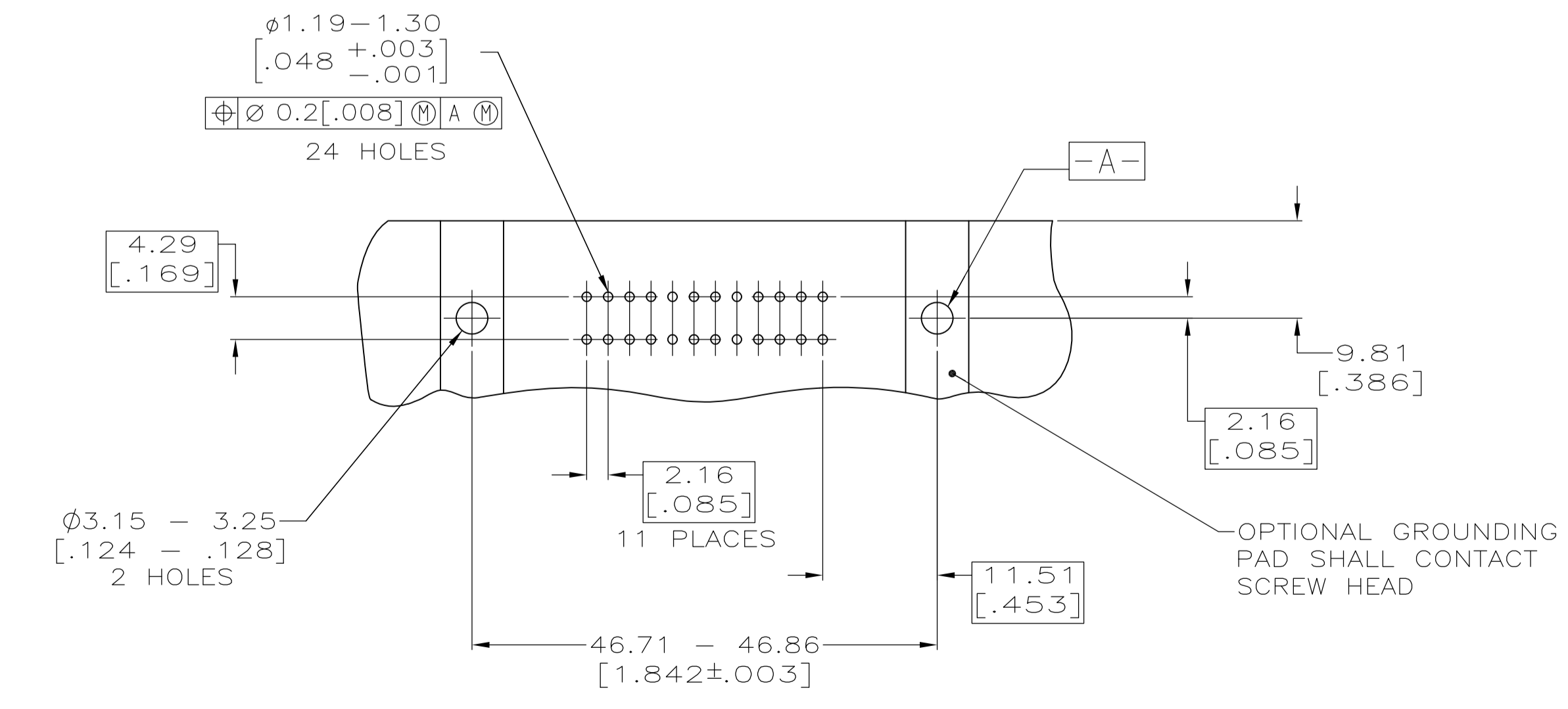
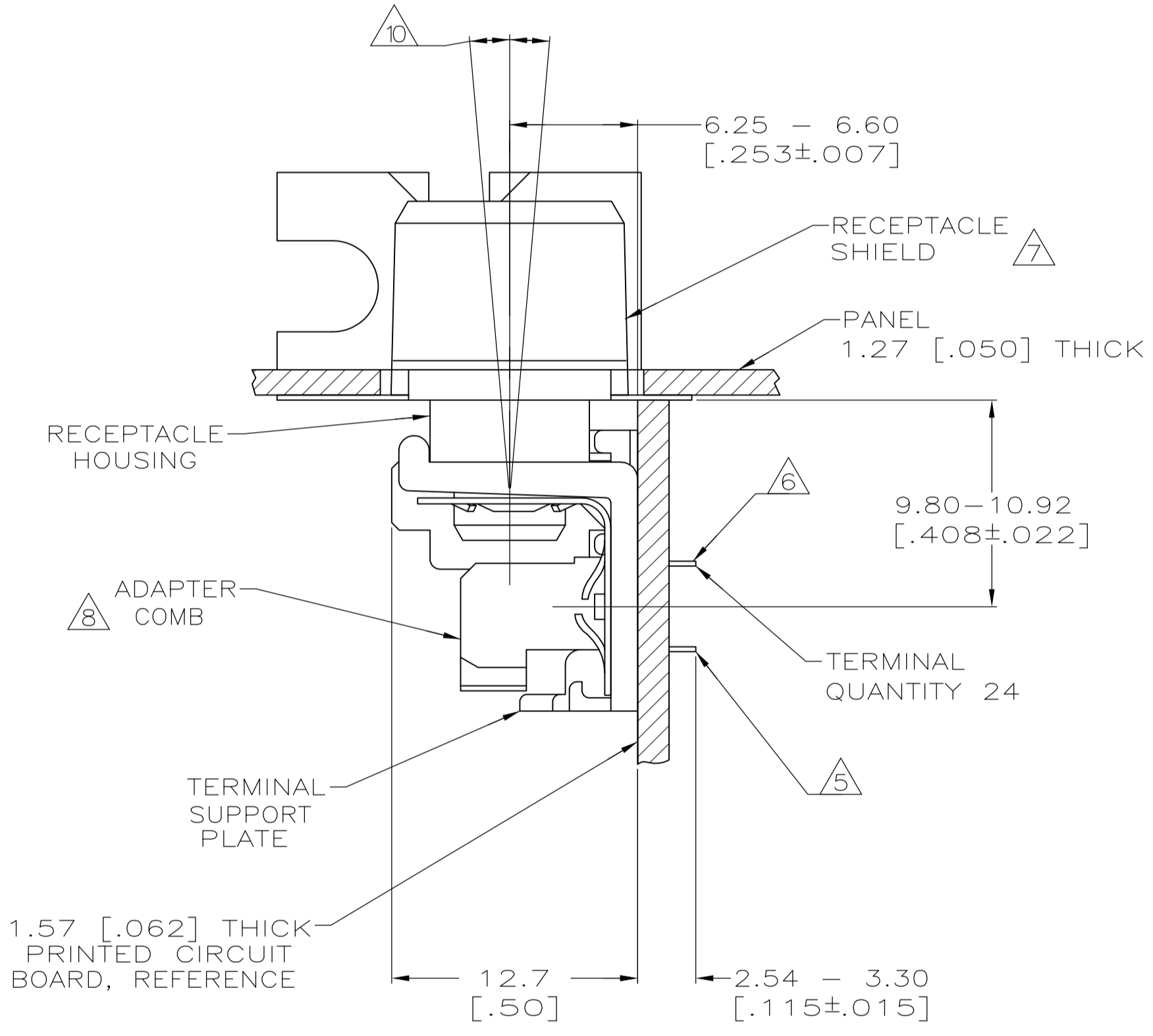
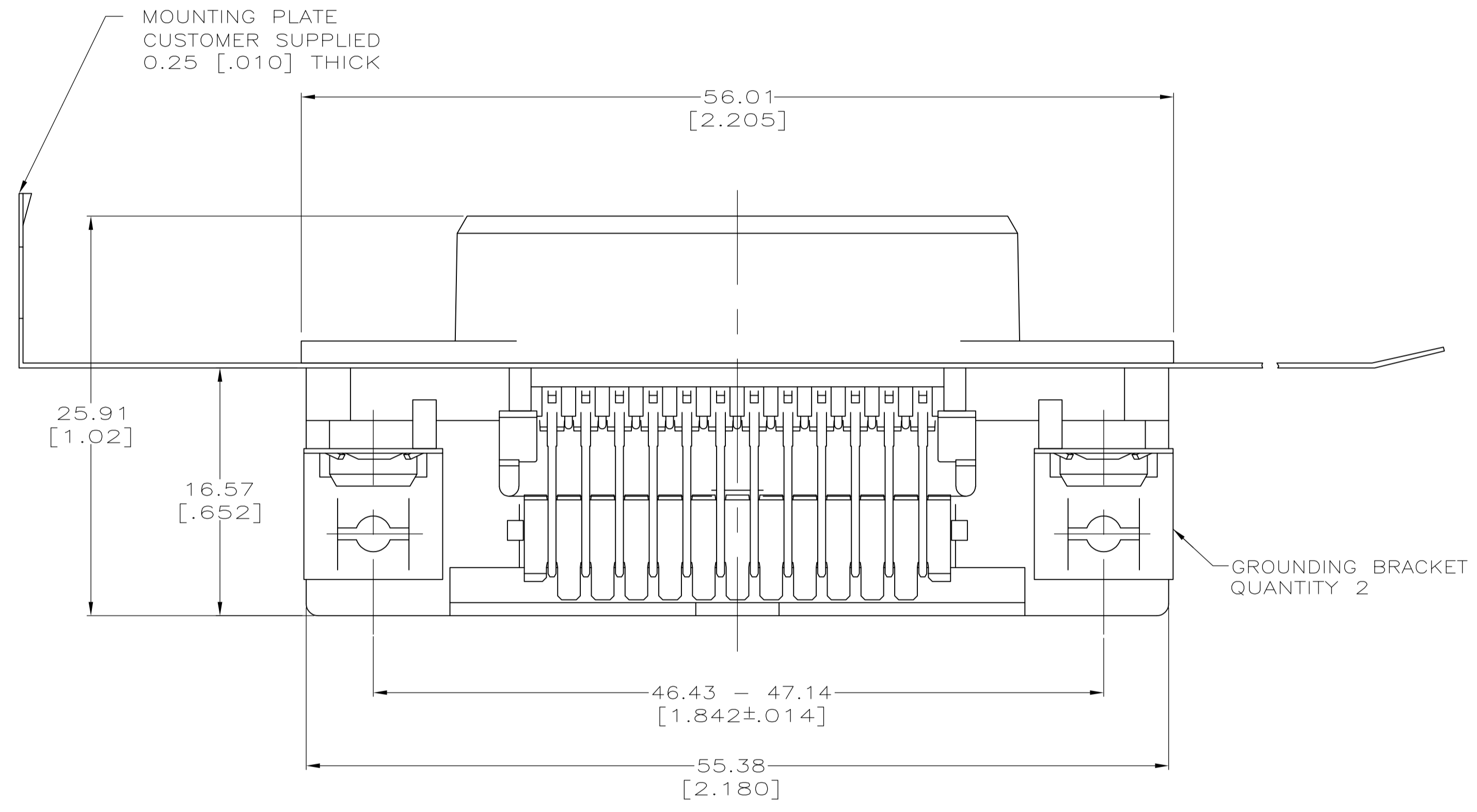
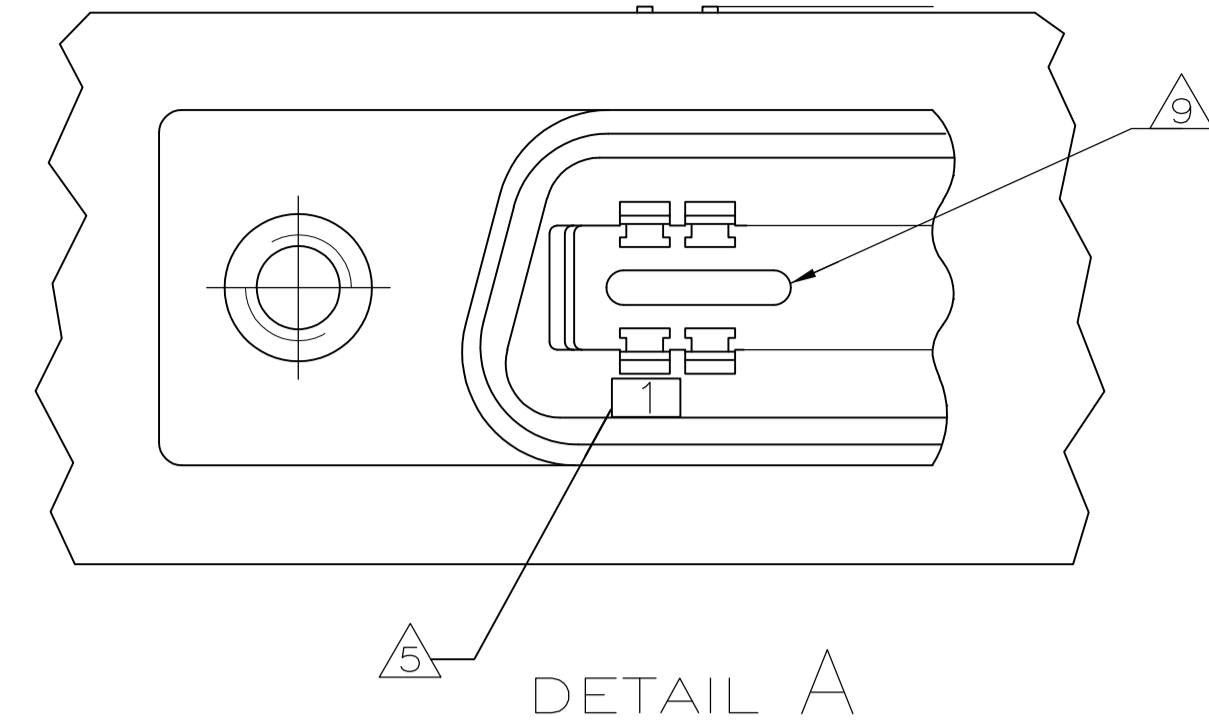
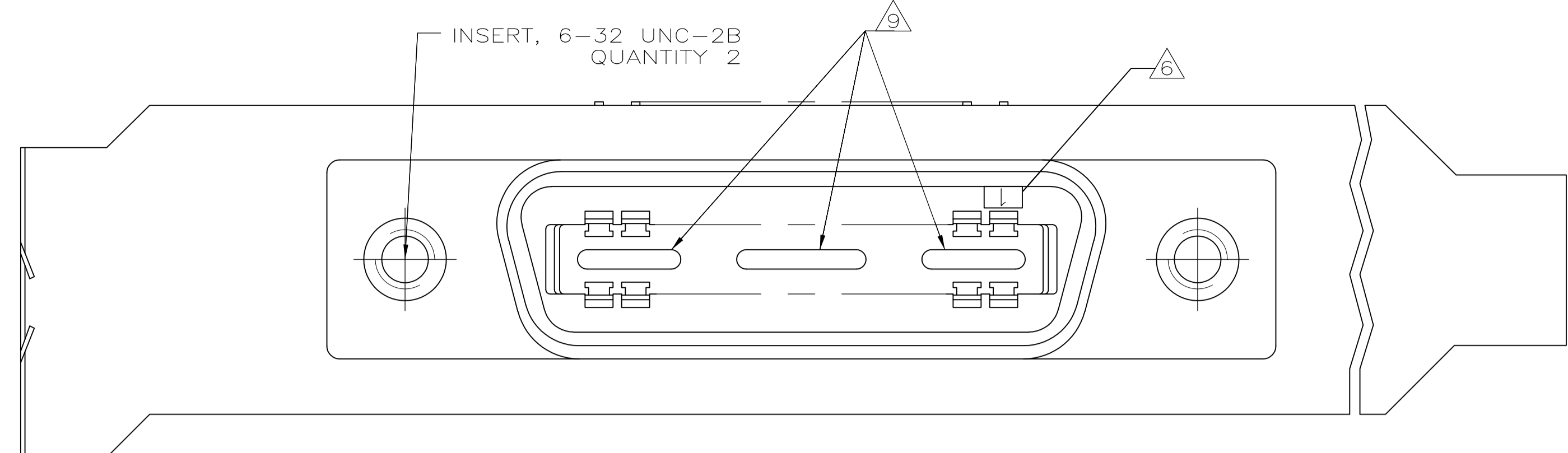


LOC		DIST		REVISIONS			
GP	00	F	LTR	DESCRIPTION	DATE	DM	APVD
B				REVISED PER ECO-08-007327	17APR08	BM	WM



SUGGESTED BRACKET MOUNTING CUTOUT DIMENSIONS  
SCALE 1:1

- 1 MATERIAL:  
SUPPORT PLATE, HOUSING & ADAPTER COMB - POLYESTER, BLACK.  
RECEPTACLE SHIELD - NICKEL OVER COPPER PLATED ZINC.  
TERMINALS - HIGH STRENGTH COPPER ALLOY PLATED WITH EITHER 0.76 $\mu$ m [.000030] MIN GOLD PLATE OR GOLD FLASH OVER PALLADIUM NICKEL PLATE, 0.76 $\mu$ m [.000030] MIN TOTAL ON MATING SURFACE. 3.05 $\mu$ m [.000120] MIN TIN PLATE ON TAILS. ALL OVER 1.27 $\mu$ m [.000050] MIN NICKEL UNDERPLATE OVER ENTIRE TERMINAL.  
GROUND BRACKET - ZINC PLATED CARBON STEEL.
- 2. THE CONTACT SURFACES OF THE TERMINALS ARE COATED WITH LUBRICANT.
- 3. CENTER-TO-CENTER SPACING OF TERMINALS IS 2.16 [.085] NOMINAL.
- 4. DIMENSIONS ARE MAXIMUM UNLESS OTHERWISE SPECIFIED.
- 5. TERMINAL 1 LOCATED IN THIS ROW FOR STANDARD ORIENTATION.
- 6. TERMINAL 1 LOCATED IN THIS ROW FOR REVERSE ORIENTATION.
- 7. SHIELD SHIPPED NOT ASSEMBLED.
- 8. ADAPTER COMB SHALL BE PARTIALLY RETRACTED BEFORE INSERTING CONNECTOR INTO PRINTED CIRCUIT BOARD.
- 9. THIS FEATURE IS A CORED AREA AND IS OPTIONAL ON PART.
- 10. CONNECTOR MATING FACE MAY VARY UP TO 5 DEGREES IN EITHER DIRECTION FROM NOMINAL.

SEE DETAIL "A"	STANDARD	5555139-2
AS SHOWN	REVERSE	5555139-1
DESCRIPTION	ORIENTATION	PART NUMBER

THIS DRAWING IS A CONTROLLED DOCUMENT.		DIN B MCMMASTER 24AUG05	Tyco Electronics Corporation Harrisburg, Pa 17105-3608	
DIMENSIONS: mm (INCHES)	TOLERANCES UNLESS OTHERWISE SPECIFIED:	CIK W MILLHIMES 24AUG05	NAME	RECEPTACLE ASSEMBLY, 24 POSITION, RIGHT ANGLE, SHIELDED, LOW PROFILE, WITH GROUNDING BRACKET, CHAMP
$\phi$	0 PLC ± -	APVD W MILLHIMES 24AUG05	PRODUCT SPEC	
	1 PLC ± -	APPLICATION SPEC	SIZE	A1
	2 PLC ± -	WEIGHT	CAGE CODE	00779
	3 PLC ± -	CUSTOMER DRAWING	DRAWING NO	5555139
	4 PLC ± -	SCALE	RESTRICTED TO	
	ANGLES ± -	4:1	1	1